

Rezoning Transportation Analysis

Petition Number: 2018-118

General Location Identifier: 17514503

From: Felix Obregon, PE
fobregon@charlottenc.gov
704-432-5729

Reviewer: Isaiah Washington
Isaiah.washington@charlottenc.gov
704-432-6511

Revision Log:	Date	Description
	10-12-18	First Review
	11-19-18	Second Review

General Review Information

The site is on Montford Dr (local) near the unsignalized intersection with Park Road (major thoroughfare). It is in a center outside Route 4. The site is within the limits of the Park Woodlawn Area Plan. City's Park Road-Woodlawn Road pedestrian safety project and Cross Charlotte Trail alignment are nearby.

CDOT's review of this rezoning petition is intended to ensure consistency with the Transportation Action Plan (TAP) which seeks to ensure that the City's transportation network supports current and future land uses and includes streets that provide safe and comfortable mobility for motorists, pedestrians, bicyclists, and transit users.

This document is primarily for communication to Planning Department staff as part of the overall City staff analysis of the rezoning petition and includes an overall summary of the case from a transportation perspective, information on trip generation, and resolved or outstanding site plan concerns. Additional advisory information about the driveway permit process is provided for information only.

Based on our review of the petition, we offer the following information for your consideration.

Transportation Summary

This site is located along a local road. CDOT is requesting the streetscape along the "unnamed street" be updated to reflect previously approved rezoning. CDOT is also requesting the petitioner create curb extensions on Montford Drive for proposed on street parking. The Park Woodlawn Area Plan calls for cross access within the property, CDOT is requesting petitioner create cross access in site.

Trip Generation

Scenario	Land Use	Intensity	Trip Generation (vehicle trips/day)	Source
Existing Use	Quality Restaurant	7,400 sf	670	Tax Record
Entitlement with Current Zoning	Retail	27,500 sf	2,830	RZ 2017-116
Proposed Zoning	0.82 ac of MUDD-O SPA	No building square footage provided. Too many uses to determine		Site Plan: 11-09-18

Outstanding Issues

Strikeout = Not an outstanding issue

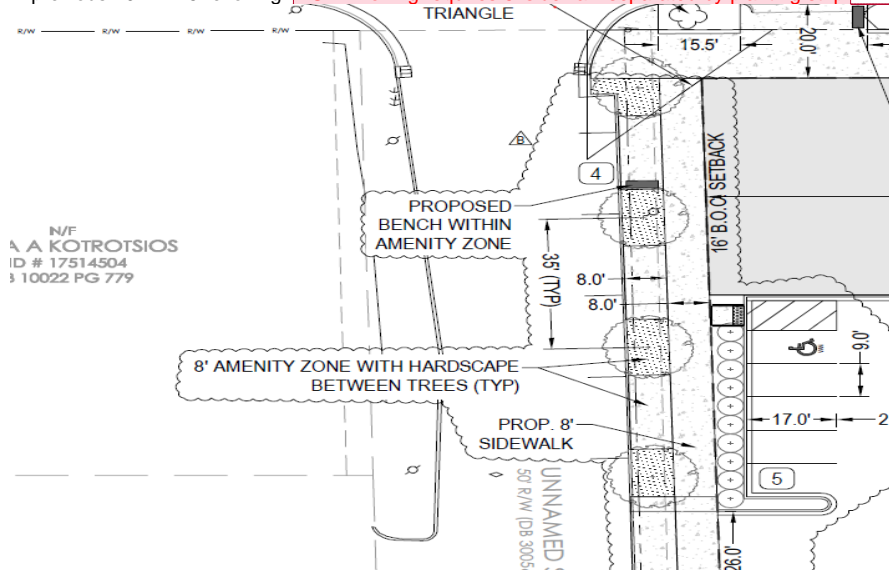
- Curbline** The proposed zoning district has a setback measured from back of the existing or proposed future curbline. The existing curbline is the future location on Montford Drive and on the side street.

Rezoning Transportation Analysis

Petition Number: 2018-118

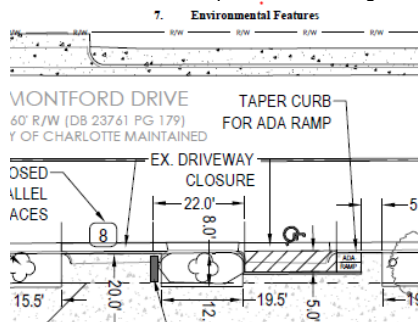
General Location Identifier: 17514503

2. ~~Traffic Study~~ A Traffic Impact Study/Transportation Technical Memorandum is not necessary for the complete review of this petition.
3. The petitioner should revise the site plan and conditional note(s) to show amenity zone as approved in previous 2017-116 rezoning. **MUDD zoning requires 6' sidewalk separated by planting strip.**



Commented [W11]: Section 9.8506 (2)(d) "If no street scape plan exists, a six-foot sidewalk is required along all streets separated by a planting strip in accordance with the Charlotte Tree Ordinance [Chapter 21 of the City Code] The Park Woodlawn plan on specifies for Montford but not the "unnamed street"

4. The petitioner should revise the site plan and conditional note 5.e. to clearly state that the bench placement will not conflict with walkability of the sidewalk.
5. The petitioner should revise the site plan and conditional note(s) to clearly show where on street ADA space will be as shown in previous rezoning 2017-116. PLEASE NOTE: ADA space does not have to be in same location as previous rezoning.



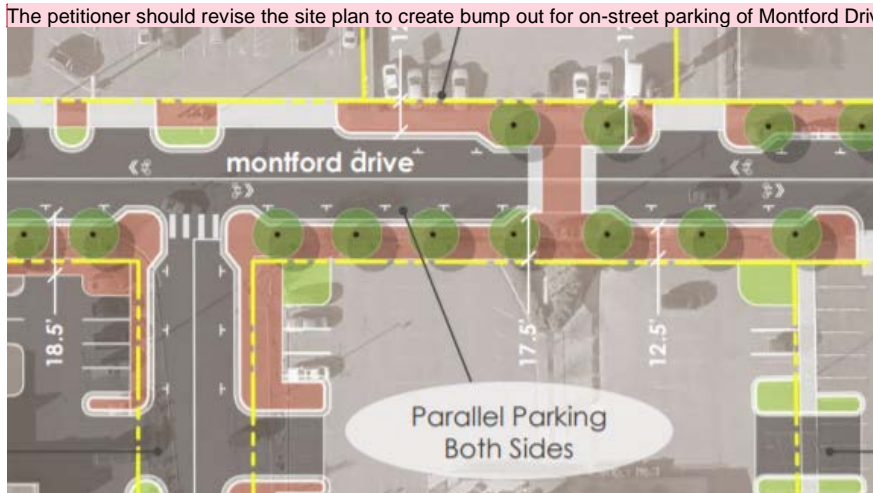
Rezoning Transportation Analysis

Petition Number: 2018-118

General Location Identifier: 17514503

6. The petitioner should revise the site plan and conditional notes to stub across access drive to the adjacent parcel (PID 17514501) per Transportation Policy T-4 in the Park Woodlawn Area Plan.

7. The petitioner should revise the site plan to create bump out for on-street parking of Montford Drive.



Commented [W12]: According to Tom S, curb is not moving but will have extensions, Pic also from Tom Sorrentino, currently project is not funded

8. The petitioner should revise the site plan to add a note specifying dedication and fee simple conveyance of all rights of way to the City before the site's first building certificate of occupancy is issued. CDOT requests right of way set at 2' behind back of sidewalk where feasible.

9. Resolved Sample format for comment that is resolved

Advisory Information

The following are requirements of the developer that must be satisfied prior to driveway permit approval. We recommend that the petitioner reflect these on the rezoning plan as-appropriate.

1. According to the City of Charlotte's Driveway Regulations, CDOT has the authority to regulate/approve all private street/driveway and public street connections to the right-of-way of a street under the regulatory jurisdiction of the City of Charlotte.
2. Adequate sight triangles must be reserved at the existing/proposed street entrance(s). Two 35' x 35' sight triangles (and two 10' x 70' sight triangles on North Carolina Department of Transportation on NCDOT maintained streets) are required for the entrance(s) to meet requirements. All proposed trees, berms, walls, fences, and/or identification signs must not interfere with sight distance at the entrance(s). Such items should be identified on the site plan.
3. The proposed driveway connection(s) to public streets will require a driveway permit(s) to be submitted to CDOT (and the North Carolina Department of Transportation on NCDOT maintained streets) for review and approval. The exact driveway location(s) and type/width of the driveway(s) will be determined by CDOT during the driveway permit process. The locations of the driveway(s) shown on the site plan are subject to change in order to align with driveway(s) on the opposite side of the street and comply with City Driveway Regulations and the City Tree Ordinance.
4. All proposed commercial driveway connections to a future public street will require a driveway permit to be submitted to CDOT for review and approval.

Rezoning Transportation Analysis

Petition Number: 2018-118

General Location Identifier: 17514503

5. Any fence or wall constructed along or adjacent to any sidewalk or street right-of-way requires a certificate issued by CDOT.
6. A Right-of-Way Encroachment Agreement is required for the installation of any non-standard item(s) (irrigation systems, decorative concrete pavement, brick pavers, etc.) within a proposed/existing City maintained street right-of-way by a private individual, group, business, or homeowner's/business association. An encroachment agreement must be approved by CDOT prior to the construction/installation of the non-standard item(s). Contact CDOT for additional information concerning cost, submittal, and liability insurance coverage requirements.